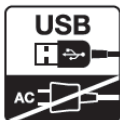
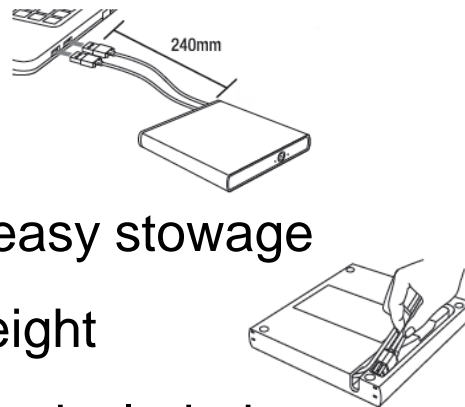


BDX-S600U: Slim Portable BD Writer

- BDXL media support
- Dual USB bus power
- Built-in dual USB cables & integrated cable duct for easy stowage
- Sleek design and ultra light weight
- CyberLink Media Suite software included



| BDX-S600U Specification | |
|---------------------------------|---|
| Interface | Hi-Speed USB (USB2.0) |
| Write Speed (Max) ^{*1} | BD-R 6x, BD-R DL 6x, BD-R XL ^{*3} 4x, BD-RE 2x, BD-RE DL 2x DVD+R 8x, DVD+R DL 6x, DVD+RW 8x, DVD-R 8x, DVD-R DL 6x, DVD-RW 6x, DVD-RAM ^{*2} 5x, CD-R 24x, CD-RW 16x |
| Read Speed (Max) ^{*1} | BD-ROM 6x, DVD-ROM 8x, CD-ROM 24x |
| Buffer Memory Capacity (Max) | 5.8 MB |
| Dimension (W x H x D) | 136.5 x 19 x 152 mm (5.37 x 0.75 x 5.98 inches) |
| Weight (drive only) | 330 g (0.728 lbs) |
| Power Source | USB Bus Power (+5V / 1.0A) |
| Supplied Accessories | Software disc, Manual, Warranty card |

*1 Use discs appropriate to each writing speed.

*2 Writing on DVD-RAM Ver.1.0 (single-side with a capacity of 2.6 GB) is not supported. Cartridge-type cannot be used.

*3 100GB

BDX-S600U: Bundled Software

CyberLink
Media Suite 8

- Authoring PowerProducer 5
- Editing PowerDirector 8
- Data Writing Power2Go 7
- Backup PowerBackup 2.5
- Player PowerDVD 10 *



* Supports Blu-ray 3D, SD to HD upscaling and DVD playback in 3D

SYSTEM REQUIREMENTS *1 *2

| Desktop PC | | Notebook PC |
|--|---|--|
| For BD Playback & Authoring | | |
| CPU | Core™ i7/i5/i3 series / Core™ 2 Extreme/Quad series / Core™ 2 Duo E4300 (1.8 GHz) / Core™ 2 Duo T5600 (1.83 GHz) / Core™ Duo T2400 (1.83 GHz) / Pentium® D 840 (3.2 GHz) / HT Technology Pentium® 4 541 (3.2 GHz) / Athlon™ 64 X2 3800+ (2 GHz) / Turion™ 64 X2 TL-50 (1.6 GHz) or higher | Core™ i7/i5/i3 mobile series / Core™ 2 Extreme/Quad mobile series / Core™ 2 Duo T5600 / Core™ Duo T2400 / Pentium® M 755 (2.0 GHz) or higher |
| GPU | ATI Radeon X1600 / NVIDIA GeForce 7600 GT / Intel® G45 or higher | ATI Mobility Radeon HD 3400 / NVIDIA GeForce 8400M / Intel® GM45 or higher |
| Display | HDCP-supported HDMI or DVI video output | Not specified |
| For DVD Playback & Authoring or BD Data Writing | | |
| CPU | Pentium® 4 (2.4 GHz) / Athlon™ 64 2800+ (1.8 GHz) or higher | Core™ Duo T2300 (1.66GHz) / Core™ Solo T1300 (1.66GHz) / Pentium® M 725 (1.6GHz) / Turion™ ML-32 (1.8GHz) or higher |
| GPU | AGP or PCI Express graphic accelerator (Need to support DirectX 9.0 or higher) | Intel® 915 chipset or higher / NVIDIA/ATI graphic accelerator (Need to support DirectX 9.0 or higher) |
| For General | | |
| OS | Windows® XP Home Edition SP3 / Professional SP3 / Windows Vista® Home Basic SP2 / Home Premium SP2 / Business SP2 / Ultimate SP2 / Windows® 7 Home Premium / Professional / Ultimate | |
| RAM | 512 MB or more for Windows® XP / 1 GB or more for Windows Vista® and Windows® 7 | |
| HDD | 5~10GB free HDD space (25~150GB for BD creation) | |
| Hi-Speed USB (USB2.0) Port x 2 | | |
| Internet connection (Broadband Highly Recommend) | | |

*1 System requirements not all-inclusive. External factors such as codec may affect playback ability of BD-ROM titles.

*2 For details of 3D playback, please refer to the following URL: <http://www.cyberlink.com/>